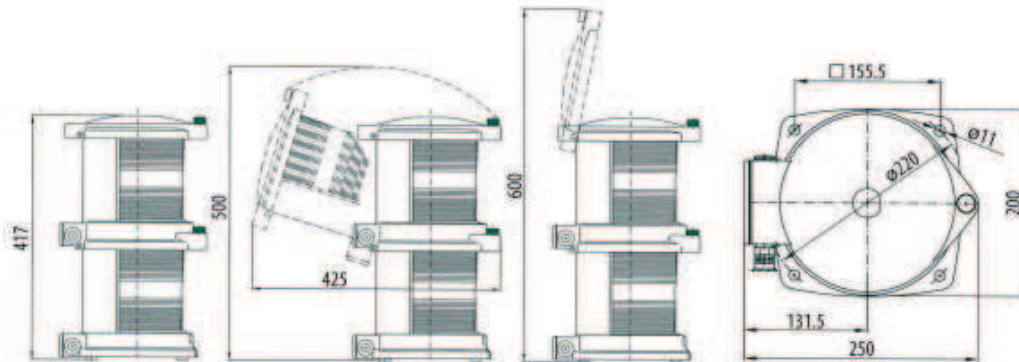
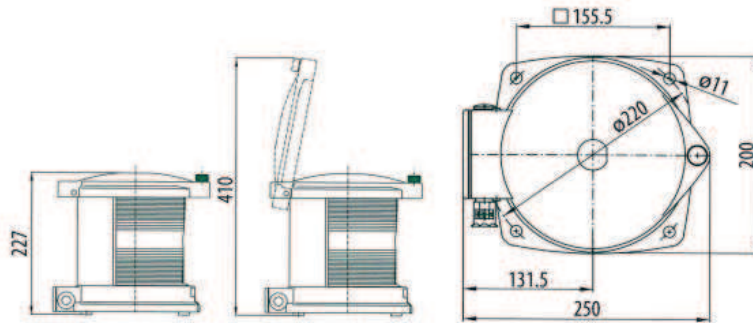


# PB

**PB** PETERS+BEY



Peters + Bey GmbH  
Senefelder-Ring 9  
21465 Reinbek

phone: +49- (0)40 - 54 76 00 - 0  
fax: +49- (0)40 - 54 76 00 - 76  
mail@peters-bey.com

www. **PETERS-BEY**.com

## NAVIGATION LIGHTS 760

NAVIGATIONS LATERNEN 760



We'll keep you on the safe side - with powerful sight.

Navigation Lights type 760 is a developing of Peters + Bey GmbH. More than 100 years of experience in the construction and manufacture of Navigation Lights in uenced the new series of lanterns type 760.

**Advantages:**

- Every Light is equipped with it's own terminal box. Ship's cable is easy to terminate straight into the light.
- Durable materials and great structural strength withstand the tough sea conditions faced with every day.
- Easy one handed bulb exchange due to the tilting top housing of the double lantern.
- Simple exchange of spares. The modular built provides only few spares, each easy to mount.

**Options:**

- On request the tilting mechanism may be supplied in one of 4 positions.
- Marine cable 1,50 m - HO7 RN F2x1,5
- Upon request Peters + Bey offers customized signaling lights in accordance with the respective flag state and class of your vessel. Signalling Lights are required to be visible from 360° i.e. all round. If the arc of visibility is restricted by obstacles such as masts, funnels and other parts of the ship's superstructure, two Signalling Lights with different arcs of visibility which together cover 360° must be fitted.



**PETERS+BEY**



Article Numbers

	112,5° 3 nm	112,5° 3 nm	225° 6 nm	135° 3 nm	135° 3 nm	135° 3 nm	360° 3 nm	360° 3 nm	360° 3 nm	360° 3 nm	360° 5 nm
	STARBOARD	PORT	MASTHEAD	STERN	TOWING	SUEZ	SIGNALLING	SIGNALLING	SIGNALLING	SIGNALLING	MANOEUVERING
Double Lantern											
2x 24 Volt	761 3010	762 3010	763 3010	764 3010	764 3210	764 1810	766 3110	766 3210	766 3310	766 3410	
2x 115 Volt	761 3020	762 3020	763 3020	764 3020	764 3220	764 1820	766 3120	766 3220	766 3320	766 3420	
2x 230 Volt	761 3030	762 3030	763 3030	764 3030	764 3230	764 1830	766 3130	766 3230	766 3330	766 3430	
1 x 230 Volt	761 3040	762 3040	763 3040	764 3040	764 3240	764 1840	766 3140	766 3240	766 3340	766 3440	
Single Lantern											
1x 24 Volt	761 1010	762 1010	763 1010	764 1010	764 1210	764 1610	766 1010	766 1210	766 1310	766 1410	766 1710
1x 115 Volt	761 1020	762 1020	763 1020	764 1020	764 1220	764 1620	766 1020	766 1220	766 1320	766 1420	766 1720
1x 230 Volt	761 1030	762 1030	763 1030	764 1030	764 1230	764 1630	766 1030	766 1230	766 1330	766 1430	766 1730
Single Lantern - hoistable											
1x 24 Volt							767 1010	767 1210	767 1310	767 1410	
1x 115 Volt							767 1020	767 1220	767 1320	767 1420	
1x 230 Volt							767 1030	767 1230	767 1330	767 1430	

**Technical Data**

- **Approval:** BSH (Bundesamt für Seeschifffahrt und Hydrographie) GL (Germanischer Lloyd) MED (Maritime equipment directive)
- **Housing:** Black polyamid, glass fibre reinforced, shock resistant, non corrosive, non magnetic, seawater resistant, with stainless steel screens (1.4571)
- **Connection:** Terminal box on every light
- **Bulbholder:** P 28 s
- **Lens:** PMMA
- **Protection:** DIN IEC 60945 (equivalent to IP 56)

Spare Part Numbers

	112,5° 3 nm	112,5° 3 nm	225° 6 nm	135° 3 nm	135° 3 nm	135° 3 nm	360° 3 nm	360° 3 nm	360° 3 nm	360° 3 nm	360° 5 nm
	STARBOARD	PORT	MASTHEAD	STERN	TOWING	SUEZ	SIGNALLING	SIGNALLING	SIGNALLING	SIGNALLING	MANOEUVERING
Double Lantern											
Top Module	761 5100	762 5100	763 5100	764 5100	767 5300	764 5500	766 5100	766 5300	766 5500	766 5700	
Bottom Module	761 5000	762 5000	763 5000	764 5000	764 5200	764 5400	766 5000	766 5200	766 5400	766 5600	766 5900
Bottom Module - hoistable							767 5000	767 5200	767 5400	767 5600	

